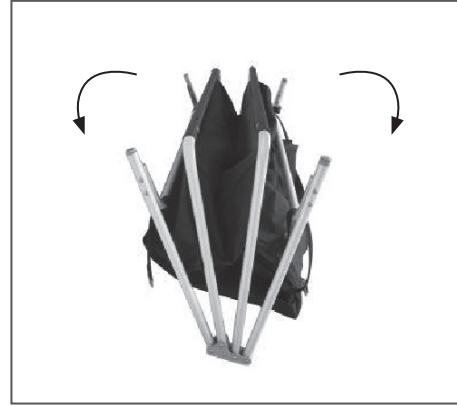


SUDBURY KITCHEN TABLE ASSEMBLING INSTRUCTIONS



1 Provided in storage bag. Easy to carry and easy to store



2 Take out the kitchen table from the storage bag and fold out the kitchen table



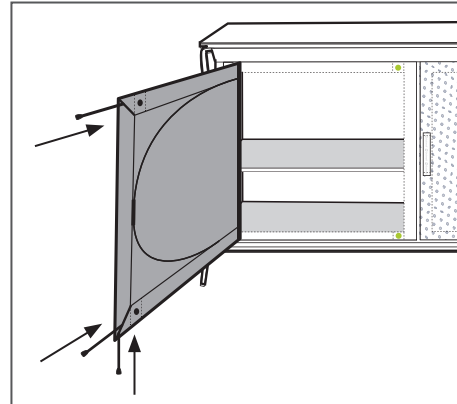
3 Turn the kitchen table up-side down and tighten the Velcro straps around the frame for stability



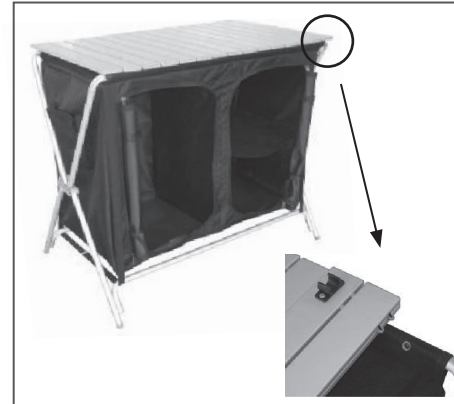
4 Check that the Velcro straps are placed correctly



5 Main body of the kitchen table is now secure



6 Insert two poles horizontal and one pole vertical. The thin pole must be curved and attached at top and bottom pocket



7 Slide the shelves into the unit. Metal table top fits down onto the poles of the main frame



8 Assemble the wind shield on top of the table in the slots



outwell.com