

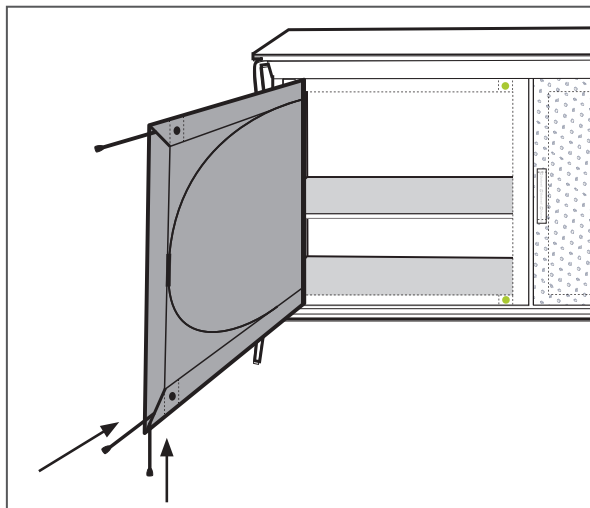
# DRAYTON KITCHEN TABLE W/MAGNETIC DOORS - ASSEMBLING INSTRUCTIONS



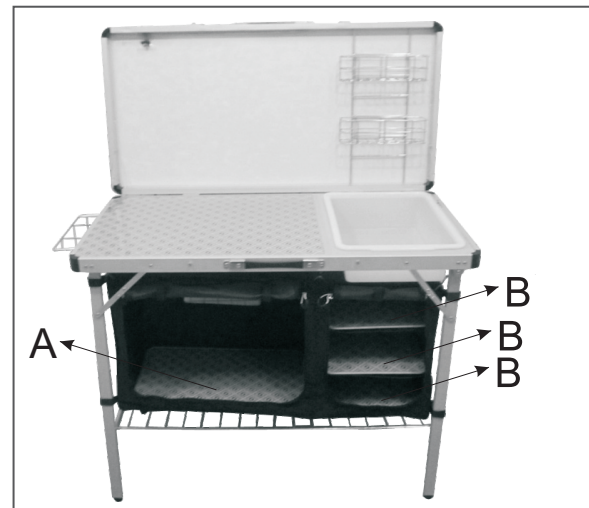
1 Take out the kitchen table from the storage bag and fold out the kitchen table



2



3 Insert two poles horizontal and one pole vertical. The thin pole must be curved and attached at top and bottom pocket



5 Slide the shelves into the unit. Metal table top fits down onto the poles of the main frame